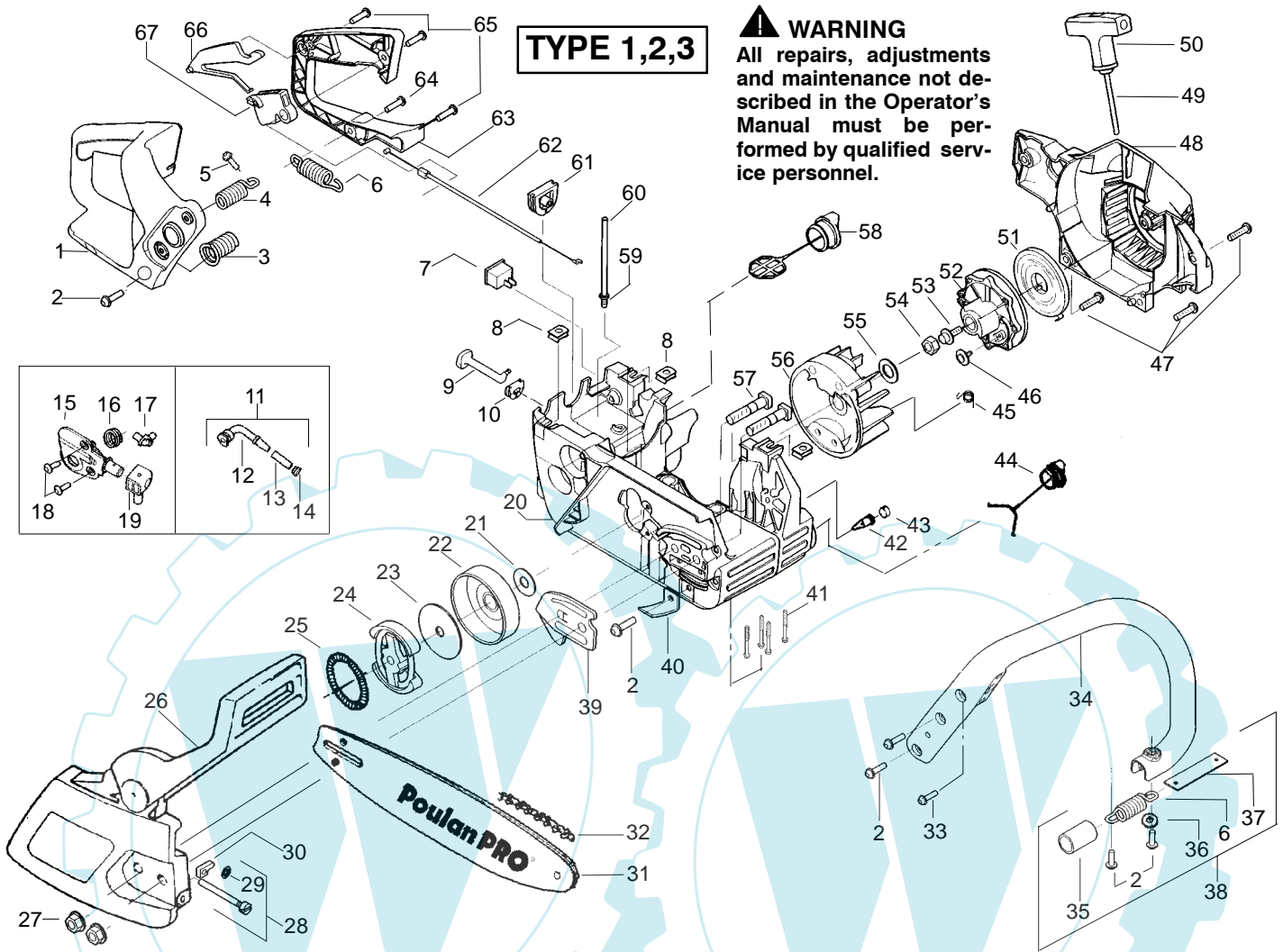


PARTS LIST NO. <b>530-088795</b>		CHAIN SAW MODEL(S) <b>260</b>
DATE <b>8/24/04</b>	Replaces 530083735 - 2/26/04	
Note: Illustration may differ from actual model due to design changes		PAGE NO. <b>1</b>



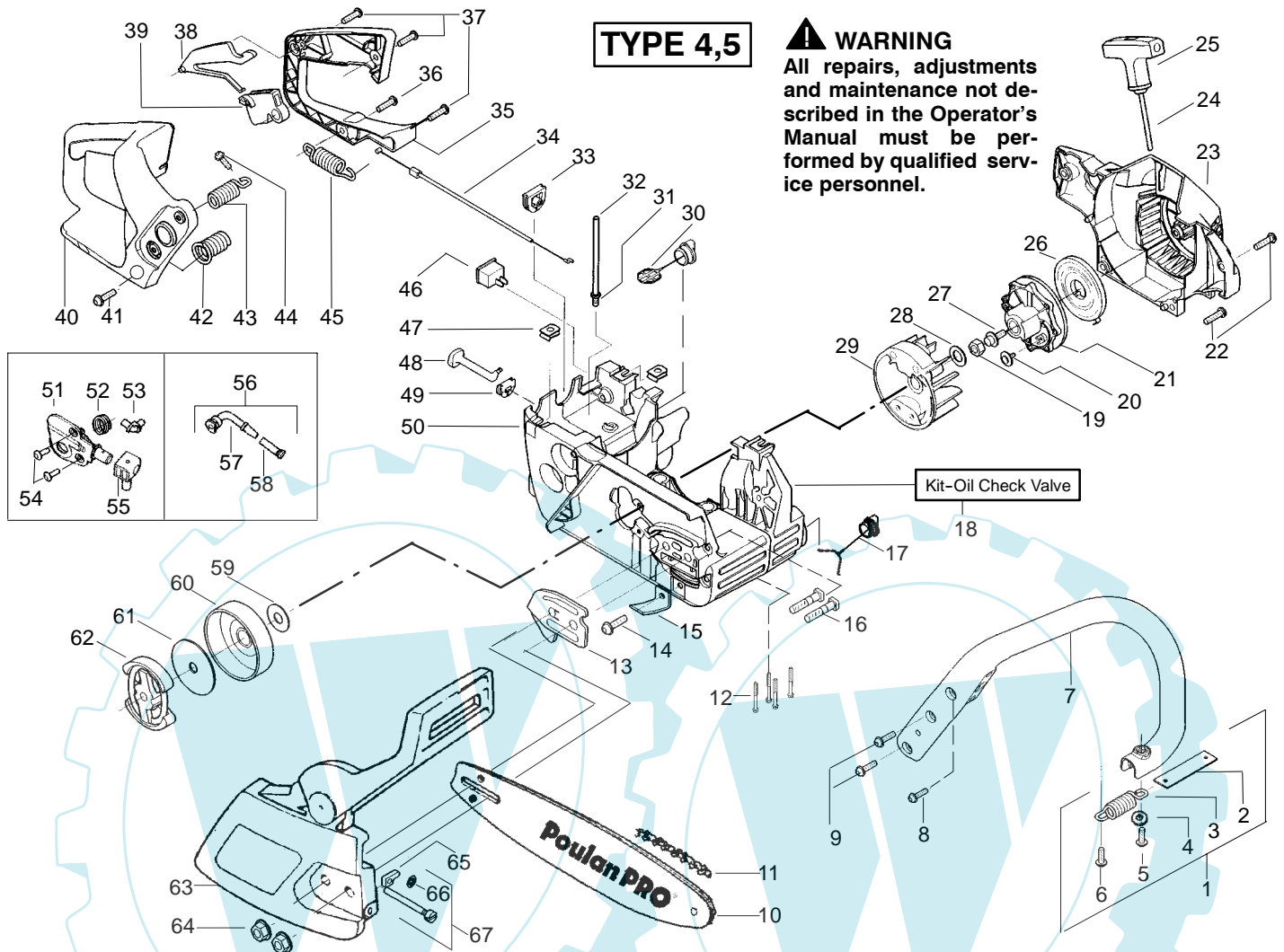
Ref.	Part No.	Description	Ref.	Part No.	Description	Ref.	Part No.	Description
1.	530047582	Rear Handle	25.	530094188	Spring-Clutch	45.	530023817	Spring-Starter Dog
2.	530015814	Screw	26.	★★★★★	Chain Brake Kit	46.	530016080	Screw
3.	530053274	Isolator Ass'y. (Lower)		530054999	Quick Adjust	47.	530015892	Screw
4.	530071385	Isolator Kit (Upper)		530054739	Standard	48.	530049335	Fan Housing
5.	530015875	Screw	27.	530015917	Nut-Bar Mounting	49.	530069232	Kit - Rope
6.	530042082	Spring-Isolator	28.	530069611	Kit-Bar Adjust	50.	530049797	Handle-Starter
7.	530069572	Switch Kit			(Incl. 29 & 30)	51.	530027531	Spring-Recoil
8.	530015922	Nut-"U" Type	29.	530038593	Retainer-Bar Adjust	52.	530037817	Pulley-Starter
9.	530047605	Choke Knob	30.	530015826	Pin-Bar Adjust	53.	530015920	Screw
10.	530049005	Grommet-Choke Knob	31.	★★★★★	BAR	54.	530016134	Nut-Flywheel
11.	530047663	Oil Pick-up Ass'y (Incl. 12-14)		952044369	16" Standard	55.	530015127	Washer-Flywheel
12.	530038373	Pick-up Oiler		952044689	18" Standard	56.	★★★★★	Flywheel
13.	530037821	Oil Filter		530044835	18" Quick Adjust		530039209	Walbro
14.	530030189	Plug-Oil Filter	32.	530044867	18" Quick Adj. pro lam		530039186	Phelon
15.	530071259	Oil Pump Kit (Incls. 15,16,17,19)		---	Chain	57.	530016133	Bolt-Bar
16.	530037820	Gear-Worm Spring		952051211	16"	58.	530047192	Assy.-Fuel Cap
17.	530049477	Elbow-Oil Pickup	33.	530016179	18"	59.	530023877	Fitting-fuel line
18.	530016064	Screw	34.	530047583	Screw	60.	530069216	Kit-Fuel line (large)
19.	530019206	Seal Block	35.	530036142	Front Handle	61.	530047631	Grommet-Cable
20.	530047621	Chassis Ass'y. (Incl. Caps & fuel Lines)	36.	530015123	Sleeve-AV Spring	62.	530047602	Cable - Throttle
21.	530015907	Washer-Thrust	37.	530047608	Washer	63.	530047581	Cover-Rear Handle
22.	530047061	Clutch Drum Ass'y. w/Bearing	38.	530047963	Limiter Strap	64.	530015886	Screw
23.	530015611	Washer - Clutch	39.	530038238	Assy.-Isolator	65.	530015906	Screw
24.	530014949	Assy. Clutch (incl.25)	40.	530029850	Plate-Bar Mounting	66.	530036098	Throttle Lockout
			41.	530016132	Chain Catcher	67.	530036097	Trigger-Throttle
			42.	530026119	Screw			
			43.	530038264	Check Valve			
			44.	530010846	Plug-Bronze Vent			
					Assy.-Oil Cap			

✓ = NEW PART NUMBER FOR THIS IPL

★ = REFER TO THE SERVICE REFERENCE INDICATED FOR MORE INFORMATION. (LOCATED AT END OF IPL)

= THESE PARTS ARE ILLUSTRATED FOR CLARITY. ORDER COMPLETE ASSEMBLY.

PARTS LIST NO. <b>530-088795</b>		CHAIN SAW MODEL(S) <b>260</b>
DATE <b>8/24/04</b>	Replaces 530083735 - 2/26/04	
<b>Note:</b> Illustration may differ from actual model due to design changes		PAGE NO. <b>2</b>



**TYPE 4,5**

**⚠ WARNING**  
All repairs, adjustments and maintenance not described in the Operator's Manual must be performed by qualified service personnel.

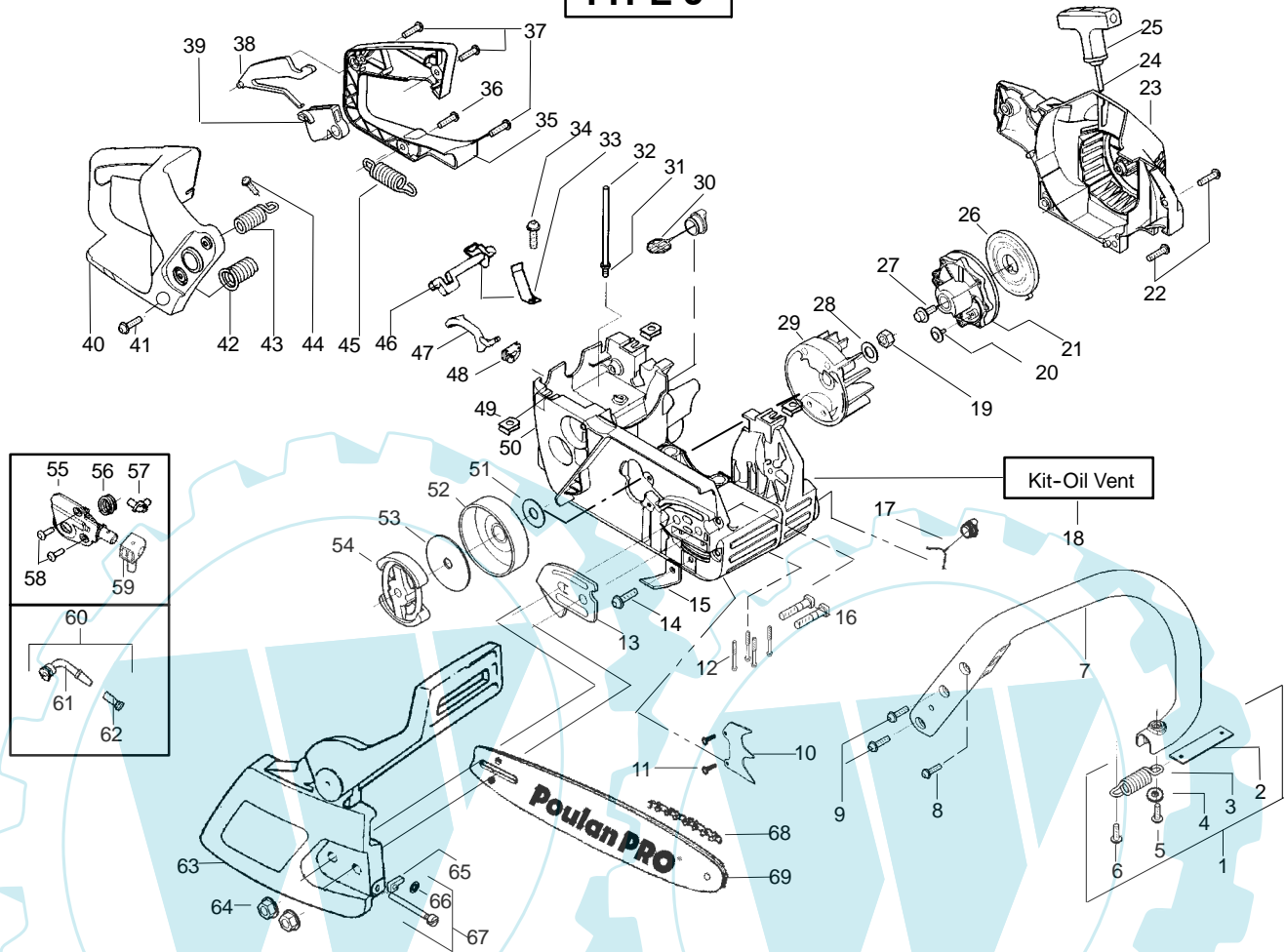
Ref.	Part No.	Description	Ref.	Part No.	Description	Ref.	Part No.	Description
1.	530047963	Assy. - Isolator	24.	530069232	Kit - Rope	49.	530049005	Grommet-Knob
2.	530047608	Limiter Strap	25.	530037485	Starter Handle	50.	530056596	Assy - Chassis (Incl. 16,17,30 filter & fuel lines)
3.	530042082	Spring - Isolator	26.	530027531	Recoil Spring	51.	530071259	Kit - Oil Pump (incl. 52,53,55)
4.	530015158	Washer	27.	530015920	Screw	52.	530037820	Gear - Worm Spring
5.	530016018	Screw	28.	530015127	Washer - Flywheel	53.	530049477	Elbow - Oil Pickup
6.	530015843	Screw	29.	530039187	Assy - Flywheel	54.	530016064	Screw
7.	530047583	Front Handle	30.	530047192	Fuel Cap Ass'y.	55.	530019206	Seal Block
8.	530015940	Screw	31.	530023877	Fitting - fuel line	56.	530047663	Assy - Oil Pick-up (Incl. 57,58)
9.	530015814	Screw	32.	530069216	Kit - Fuel line (large)	57.	530038373	Pick-up Oiler
10.	530044835	Bar - 18" "Quick Adjust"	33.	530047631	Grommet - Cable	58.	530056533	Oil Filter
11.	952051338	Chain - 18"	34.	530047602	Cable - Throttle	59.	530015907	Washer - Thrust
12.	530016132	Screw	35.	530047581	Cover - Rear Handle	60.	530047061	Assy. - Clutch Drum w/bearing
13.	530038238	Plate - Bar Mounting	36.	530015886	Screw	61.	530015611	Washer - Clutch
14.	530015814	Screw	37.	530015906	Screw	62.	530014949	Assy. Clutch
15.	530029850	Chain Catcher	38.	530036098	Throttle Lockout	63.	530054999	Assy - Chain Brake
16.	530016133	Bolt - Bar	39.	530036097	Trigger - Throttle	64.	530015917	Nut - Bar Mounting
17.	530010846	Oil Cap Ass'y.	40.	530047582	Handle - Rear	65.	530015826	Pin - Bar Adjust
18.	530071666	Kit - Oil Check Valve	41.	530015814	Screw	66.	530038593	Retainer - Bar Adjust
19.	530016134	Nut - Flywheel	42.	530053274	Assy. Isolator - lower	67.	530069611	Kit - Bar Adj. (incl. 65,66)
20.	530016080	Screw	43.	530071385	Kit - Isolator (Upper)			
21.	530037817	Starter Pulley	44.	530015875	Screw			
22.	530015892	Screw	45.	530042082	Spring - Isolator			
23.	530049335	Fan Housing	46.	530069572	Kit - Switch			
			47.	530015922	Nut - "U" - Type			
			48.	530047605	Knob - Choke			

✓ = NEW PART NUMBER FOR THIS IPL

★ = REFER TO THE SERVICE REFERENCE INDICATED FOR MORE INFORMATION. (LOCATED AT END OF IPL)

PARTS LIST NO. <b>530-088795</b>		CHAIN SAW MODEL(s) <b>260</b>
DATE <b>8/24/04</b>	Replaces 530083735 - 2/26/04	
<b>Note:</b> Illustration may differ from actual model due to design changes		PAGE NO. <b>3</b>

**TYPE 6**



Ref.	Part No.	Description	Ref.	Part No.	Description	Ref.	Part No.	Description
1.	530059667	Assy.-Isolator	29.	530039187	Assy-Flywheel	56.	530037820	Gear-Worm Spring
2.	530047608	Limiter Strap	30.	530047192	Assy-Fuel Cap	57.	530049477	Elbow-Oil Pickup
3.	530059668	Spring-Isolator	31.	530023877	Fitting-fuel line	58.	530016064	Screw
4.	530015158	Washer	32.	530069216	Kit-Fuel line (large)	59.	530019206	Seal Block
5.	530016018	Screw	33.	530016149	Spring-Switch	60.	530047663	Assy-Oil Pick-up
6.	530015843	Screw	34.	530015775	Screw	61.	530038373	Pick-up Oiler
7.	530047583	Front Handle	35.	530047581	Cover-Rear Handle	62.	530056533	Filter-Oil
8.	530015940	Screw	36.	530015886	Screw	63.	530054999	Assy.-Chain Brake
9.	530015814	Screw	37.	530015906	Screw	64.	530015917	Nut-Bar Mounting
10.	530014381	Kit-Spike Assy (incl. #11) (Russia Unit Only)	38.	530036098	Throttle Lockout	65.	530015826	Pin-Bar Adjust
11.	530016439	Screw	39.	530036097	Trigger-Throttle	66.	530038593	Retainer
12.	530016132	Screw	40.	530047582	Handle - Rear	67.	530069611	Kit-Bar Adjusting (incl. # 65,66)
13.	530038238	Plate-Bar Mount.	41.	★★★★★	Screw	68.	---	Chain
14.	530015814	Screw	42.	★★★★★	Assy Isolator-lower		952051211	16"
15.	530029850	Chain Catcher	43.	530071958-01	Kit-Isolator (Upper)		952051338	18"
16.	530016133	Bolt-Bar	44.	530015875	Screw	69.	★★★★★	BAR
17.	530057236	Assy-Oil Cap	45.	530059668	Spring-Isolator		952044369	16" Standard
18.	530071666	Kit-Oil Vent	46.	530057473	Lever-Switch		952044689	18" Standard
19.	530016134	Nut-Flywheel	47.	530057474	Lever-Choke		952044926	18" Quick Adjust
20.	530016080	Screw	48.	530049005	Grommet-Knob		530044867	18" Quick Adj. pro lam
21.	530037817	Starter Pulley	49.	530015922	Nut-"U"-Type			
22.	530015892	Screw	50.	530058733	Assy-Chassis (incl. fuel lines and caps )			
23.	530049335	Housing-Fan	51.	530015907	Washer-Thrust			
24.	530069232	Kit - Rope	52.	530047061	Assy.-Clutch Drum w/bearing			
25.	530056402	Handle-Starter	53.	530015611	Washer-Clutch			
26.	530027531	Spring-Recoil	54.	530014949	Assy. Clutch			
27.	530015920	Screw	55.	530071259	Kit - Oil Pump (incl. 56,57,59)			
28.	530015127	Washer-Flywheel						

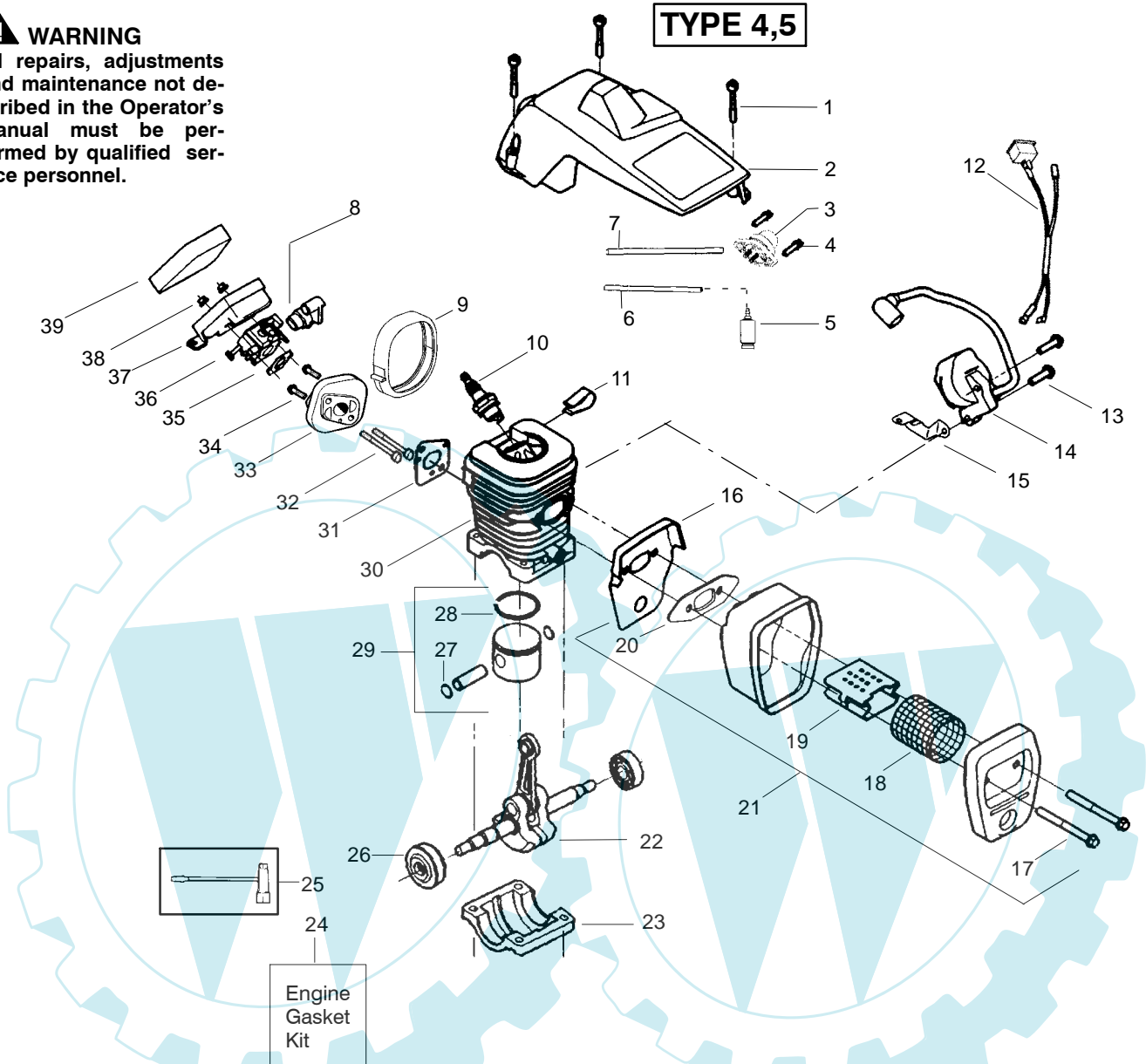
✓ = NEW PART NUMBER FOR THIS IPL

★ = REFER TO THE SERVICE REFERENCE INDICATED FOR MORE INFORMATION. (LOCATED AT END OF IPL)





**⚠ WARNING**  
All repairs, adjustments and maintenance not described in the Operator's Manual must be performed by qualified service personnel.

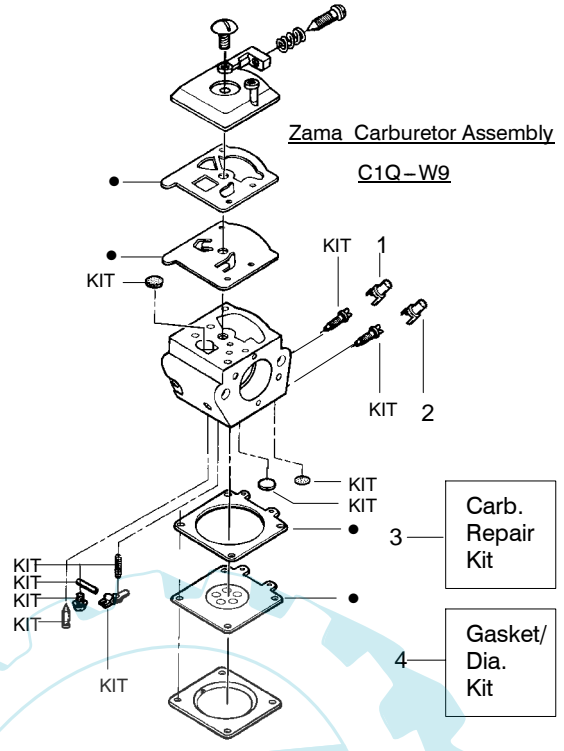
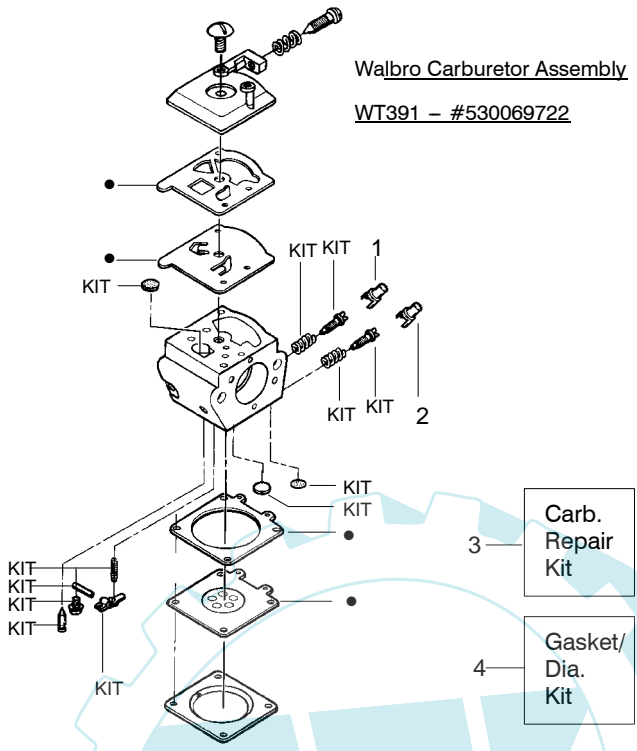


Ref.	Part No.	Description	Ref.	Part No.	Description	Ref.	Part No.	Description
1.	530016153	Screw	16.	530049870	Back Plate-Muffler	30.	530071411	Kit-Cylinder
2.	530055638	Shield-Cylinder	17.	530016132	Screw	31.	530069608	Gasket-Adapter(kit)
3.	530047213	Assy-Air Purge	18.	530036103	Screen-Spark	32.	530016187	Screw
4.	530015780	Screw	19.	530037813	Diffuser-Muffler	33.	530049700	Adapter-Carb.
5.	530095646	Assy-Fuel Pick-up	20.	530069608	Gasket-Muffler(kit)	34.	530016386	Screw
6.	530069247	Kit-Line Purge/Carb. (Small Dia)	21.	530047207	Assy-Muffler (Incl. 16-20)	35.	530069608	Carb. Gasket(kit)
7.	530069216	Kit-Line Purge/Tank (large line)	22.	530047062	Assy-Crankshaft	36.	530071621	Kit-Carburetor (WT-625)
8.	530035526	Grommet-Carb Adjust.	23.	530037935	Cap-Crankcase	37.	530047604	Housing-Air Filter
9.	530054144	Seal-Carb Adapter	24.	530069608	Kit-Engine Gasket (incl. 20,31,35)	38.	530016101	Nut
10.	952030150	Spark Plug (RCJ-7Y)	25.	530031135	Scrench	39.	530037793	Air Filter - Foam
11.	530016136	Clip-High Tension Lead	26.	530056363	Assy-Seal & Bearing	Not Shown		
12.	530049117	Assy-Wire Harness (includes switch)	27.	530015697	Retainer - Piston Pin	530163654	Manual	
13.	530015814	Screw	28.	530038729	Ring-Piston	530057757	Decal-Warning	
14.	530039198	Module-Ignition	29.	530069719	Kit-Piston - (incl. 27,28)			
15.	530047442	Strap-Ground						

↗ = NEW PART NUMBER FOR THIS IPL

★ = REFER TO THE SERVICE REFERENCE INDICATED FOR MORE INFORMATION. (LOCATED AT END OF IPL)





Ref.	Part No.	Description
1.	530038479	Limiter Cap-High (brown)
2.	530038478	Limiter Cap-Low (tan)
3.	-	Carburetor Repair Kit (KIT= Indicates Contents)
4.	530069826	Walbro (WT391)
	-	Gasket Diaphragm Kit (● Indicates Contents)
	530069844	Walbro (WT391)

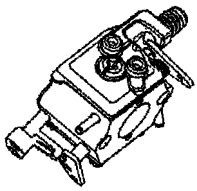
Ref.	Part No.	Description
1.	530038479	Limiter Cap-High (brown)
2.	530038478	Limiter Cap-Low (tan)
3.	-	Carburetor Repair Kit (KIT= Indicates Contents)
4.	530071352	Zama (GND-27)
	-	Gasket Diaphragm Kit (● Indicates Contents)
	530035270	Zama (KSO31173)

**Zama Carburetor Service Reference**

\*\*\*\*\*  
 If replacing the complete Zama Carburetor, it is not serviceable; you will need to order #530069722 Walbro Carburetor Assy.

\*\*\*\*\*  
 Note: The contents of the 530-035270 Gasket/Diaphragm kit are included in the 530-071352 Carb. Repair kit.

**Kit - Carburetor Assembly No. 530071621 - WALBRO WT-625**  
**Kit - Carburetor Assembly No. 530071820 - ZAMA W-20**  
**Kit - Carburetor Assembly No. 530071821 - WALBRO WT-662**



Note: No Repair kits are available for these carburetors.

✓ = NEW PART NUMBER FOR THIS IPL    \* = REFER TO THE SERVICE REFERENCE INDICATED FOR MORE INFORMATION. (LOCATED AT END OF IPL)  
 ● = THESE PARTS ARE ILLUSTRATED FOR CLARITY. ORDER COMPLETE ASSEMBLY.

PARTS LIST NO. <b>530-088795</b>		<a href="http://www.ersatzteil-service.de">www.ersatzteil-service.de</a> <b>Poulan PRO</b> PARTS LIST	CHAIN SAW MODEL(S) <b>260</b>
DATE <b>8/24/04</b>	Replaces 530083735 - 2/26/04		NOTE: Illustration may differ from actual model due to design changes

**Walbro / Phelon Flywheel & Ignition Module Service Reference**

\*\*\*\*\*

When ordering a replacement flywheel or ignition module, please refer to the specific brand (Walbro or Phelon) and order accordingly.

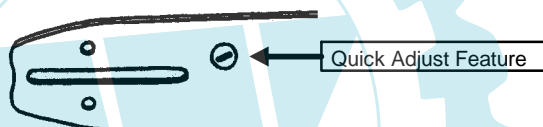
\*\*\*\*\* **Service Reference** \*\*\*\*\*

Standard Guide Bar



If your saw has the standard bar, order the **530054739** Chain Brake Assembly which includes the items #23,24 & 50 on page one.

Quick Adjust Guide Bar

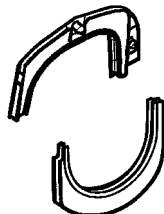


If your saw has the quick adjust bar, order the **530054999** Chain Brake Assembly which **Does Not** include the items #23,24 & 50 on page one.

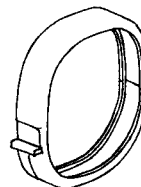
\*\*\*\*\* **Service Reference** \*\*\*\*\*

Note: Your chain saw may have either a one or two piece seal. Please note the two piece seal is no longer available, and you will need to order the one piece seal as a replacement.

Two Piece Seal



One Piece Seal



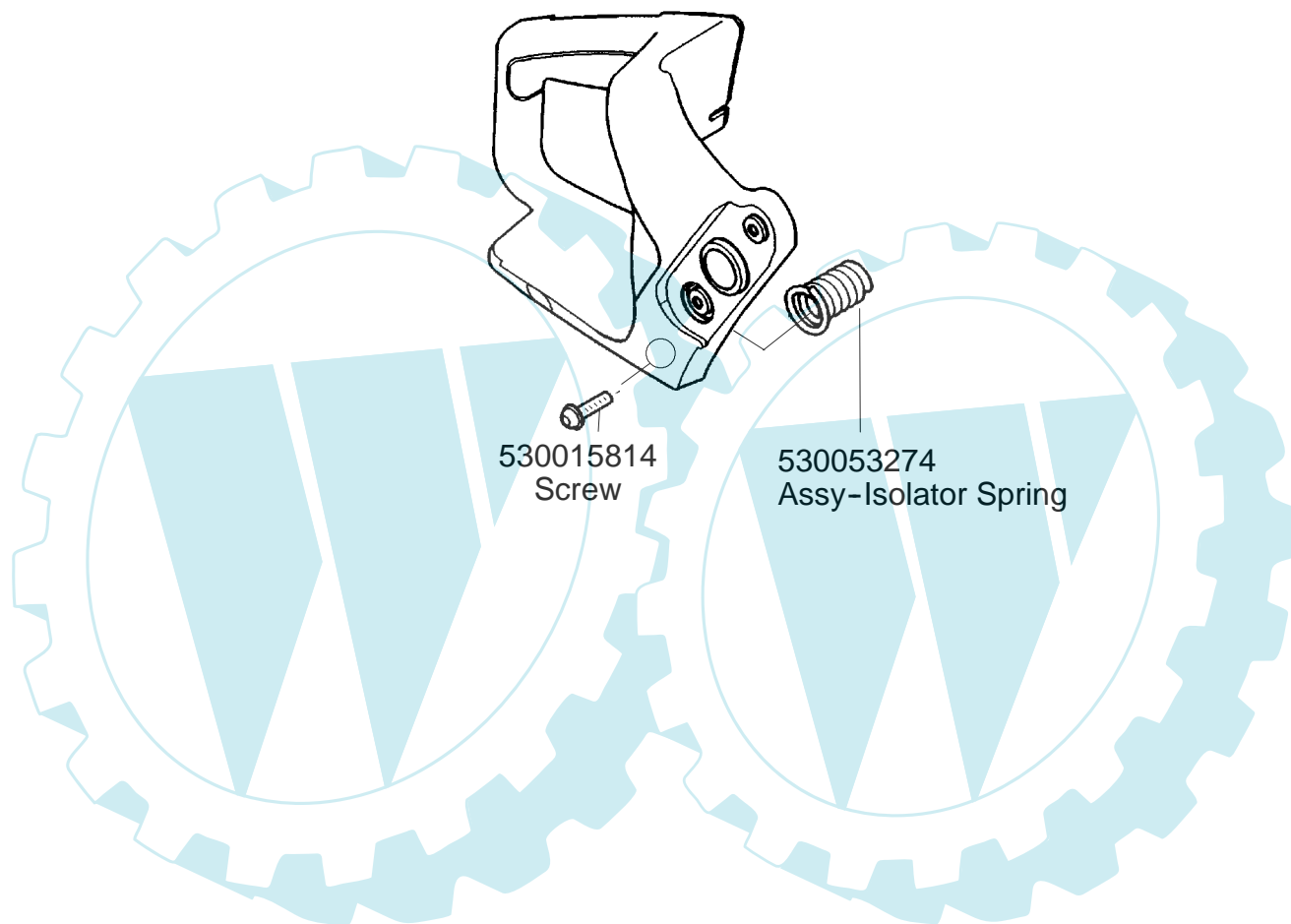
If your saw has the one or two piece seal, order the **530054144** seal.



PARTS LIST NO. <b>530-088795</b>		<a href="http://www.ersatzteil-service.de">www.ersatzteil-service.de</a> <b>Poulan PRO</b> PARTS LIST	CHAIN SAW MODEL(S) <b>260</b>
DATE <b>8/24/04</b>	Replaces 530083735 - 2/26/04		PAGE NO. <b>9</b>
<b>Note:</b> Illustration may differ from actual model due to design changes			

\*\*\*\*\* **Service Reference** \*\*\*\*\*

Note: Due to product improvements, your unit may have been built with or without the spring and screw shown below. If your unit does not have this spring and screw, no action is required. If your unit does have the spring and screw, please order the part numbers listed below.



✓ = NEW PART NUMBER FOR THIS IPL

★ = REFER TO THE SERVICE REFERENCE INDICATED FOR MORE INFORMATION. (LOCATED AT END OF IPL)